



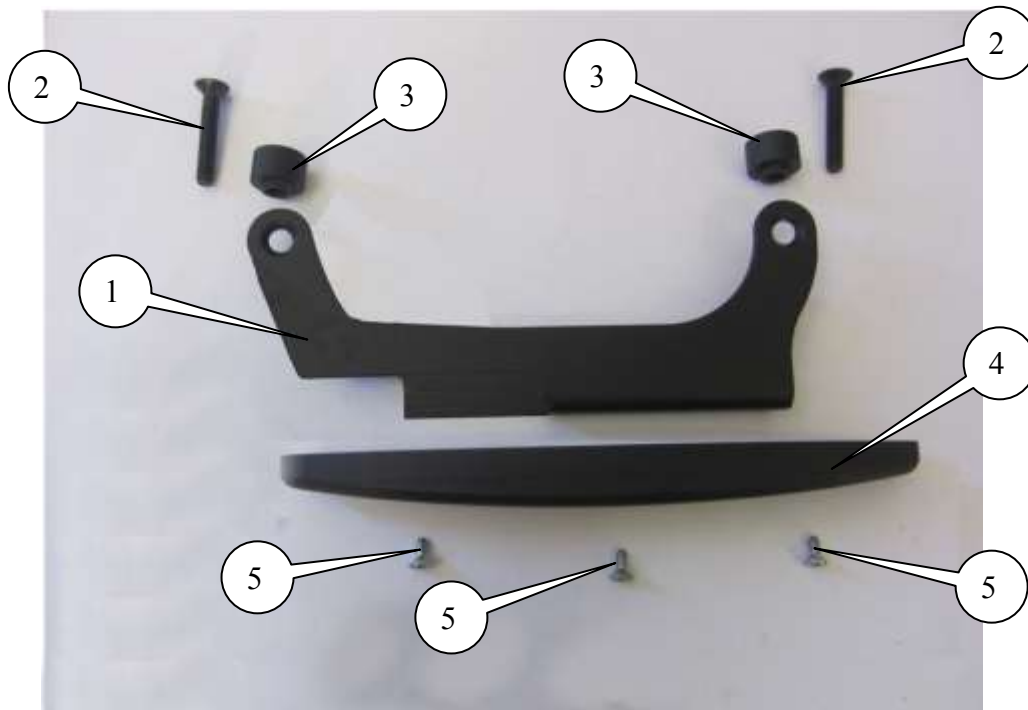
**FITTING INSTRUCTIONS FOR TP0012 FOOTBOARD SLIDERS**  
**YAMAHA T-MAX 530 2012**



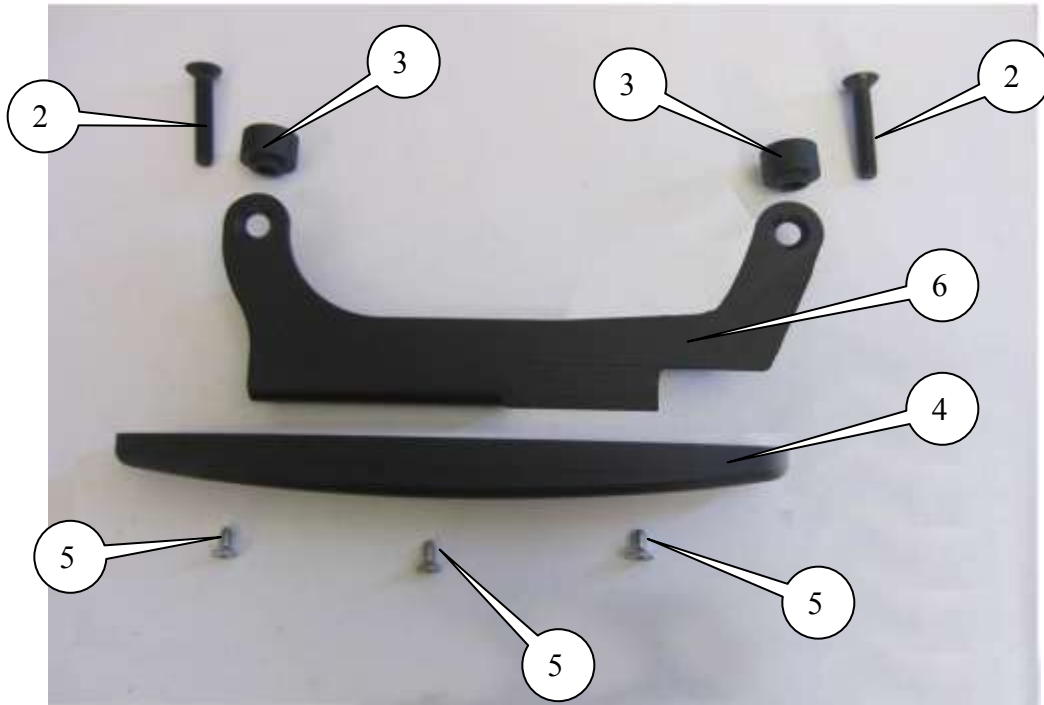
**THIS KIT CONTAINS THE ITEMS PICTURED AND LABELLED BELOW.**  
**DO NOT PROCEED UNTIL YOU ARE SURE ALL PARTS ARE PRESENT.**

Please note that the way the kit is packed does not necessarily represent the way of mounting to the bike.

THE PARTS SHOWN MAY BE REPRESENTATIVE ONLY (FOR CLARITY OF INSTRUCTIONS ONLY)

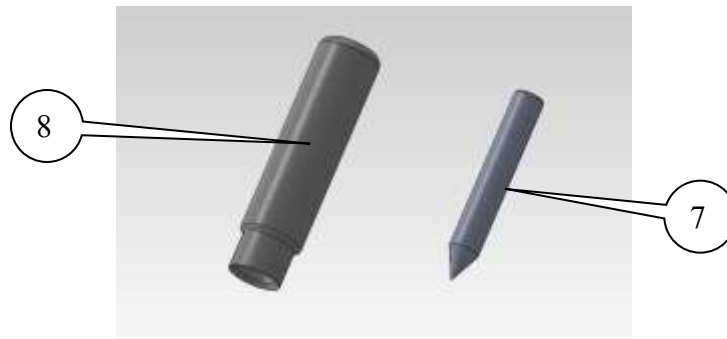


**LEFT HAND SIDE**



**RIGHT HAND SIDE**

**TOOLS**



**LEGEND**

- ITEM 1 = MOUNTING PLATE LEFT SIDE (MP0032) (x1).
- ITEM 2 = M6x35mm LONG COUNTERSUNK BOLTS (x4).
- ITEM 3 = STEPPED SPACER (S0536) 12.5mm LONG (x4).
- ITEM 4 = SLIDER (SL0007) (x2).
- ITEM 5 = M5x12mm LONG COUNTERSUNK BOLTS (x6).
- ITEM 6 = MOUNTING PLATE RIGHT SIDE (MP0033) (x1).
- ITEM 7 = MARKING TOOL (T0018) (x1).
- ITEM 8 = 10.5mm PUNCH TOOL (T0019) (x1).



Please note that in cases where kits are packed with rubber washers holding the components onto the bolt – *the rubber washers should be thrown away!*

#### **TOOLS REQUIRED**

- Set of metric Allen keys to include 3 & 4mm A/F sizes.
  - 10mm Socket and wrench.
  - Hammer/mallet.



PICTURE 1



PICTURE 2



PICTURE 3



PICTURE 4



## FITTING INSTRUCTIONS

### LEFT HAND SIDE

- Remove the original rubber foot mat by lifting a corner and gently pulling.
- Remove the two bolts that are now accessible as arrowed in picture 1.
- Take the M6 marking tool (item 7) that is in the kit and screw into one of these holes, ensuring the point is at the top, as shown in picture 2. Re-fit the original rubber foot mat and gently apply some pressure to the area around the marking tool. *This should give a small indentation to locate where to punch a hole through the rubber in order to fit the bolt.* Use the same process to mark the other bolt hole position.
- With the rubber mat removed from the scooter, use the 10.5mm Punch Tool (item 8) supplied with the kit along with a hammer/mallet to create two holes where the marking tool has marked the rubber floor mat, as shown in picture 3. *This should be done with a piece of wood underneath the rubber and on a hard surface.*
- These holes allow the top of the spacers to fit through the rubber foot mat as shown in picture 4.
- Take the left side mounting plate (item 1) and fit the slider (item 4) using three of the M5 countersunk bolts (item 5). Fit the bolts through the slider and screw into the mounting plate and tighten.
- On the scooter, position two of the stepped spacers (item 3) into the bolt recesses (with the smaller diameter facing upwards).
- Re-fit the original foot plate rubber mat, ensuring that the tops of the two spacers fit through the holes that have just been punched in the rubber.
- Offer the R&G footboard slider assembly into position and secure using the two M6 x 35mm countersunk bolts (item 2).
- Place the reflective bubble stickers into recesses to cover the bolt heads.

Repeat the above for the right hand side



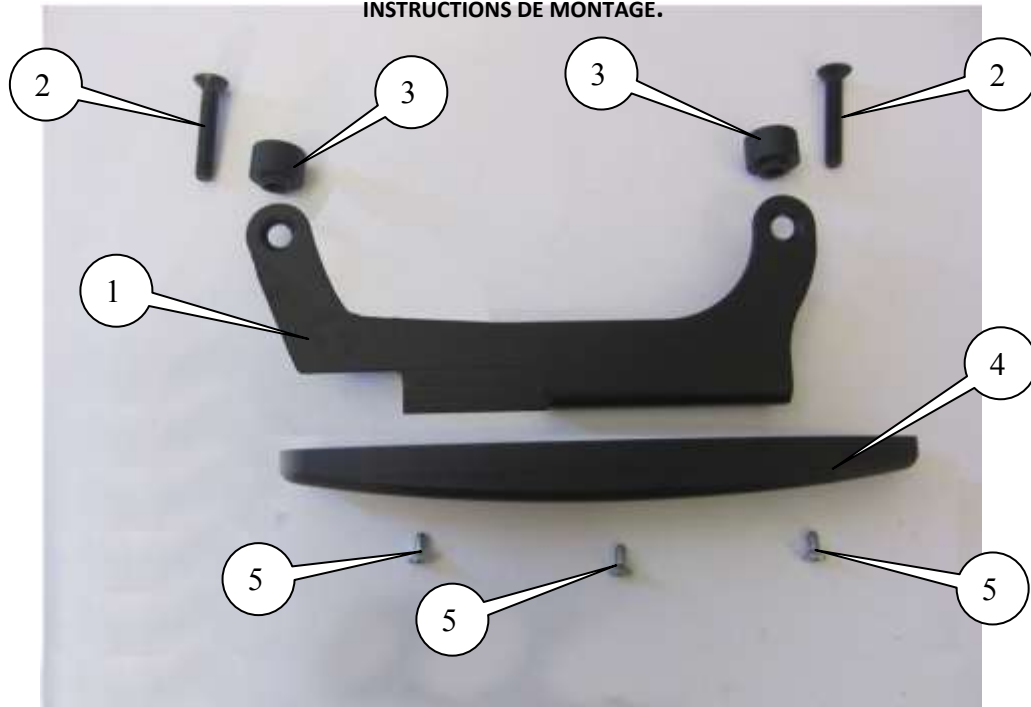
**Instructions de montage pour TP0012 Sliders repose pied**  
**YAMAHA T-MAX 530 2012**



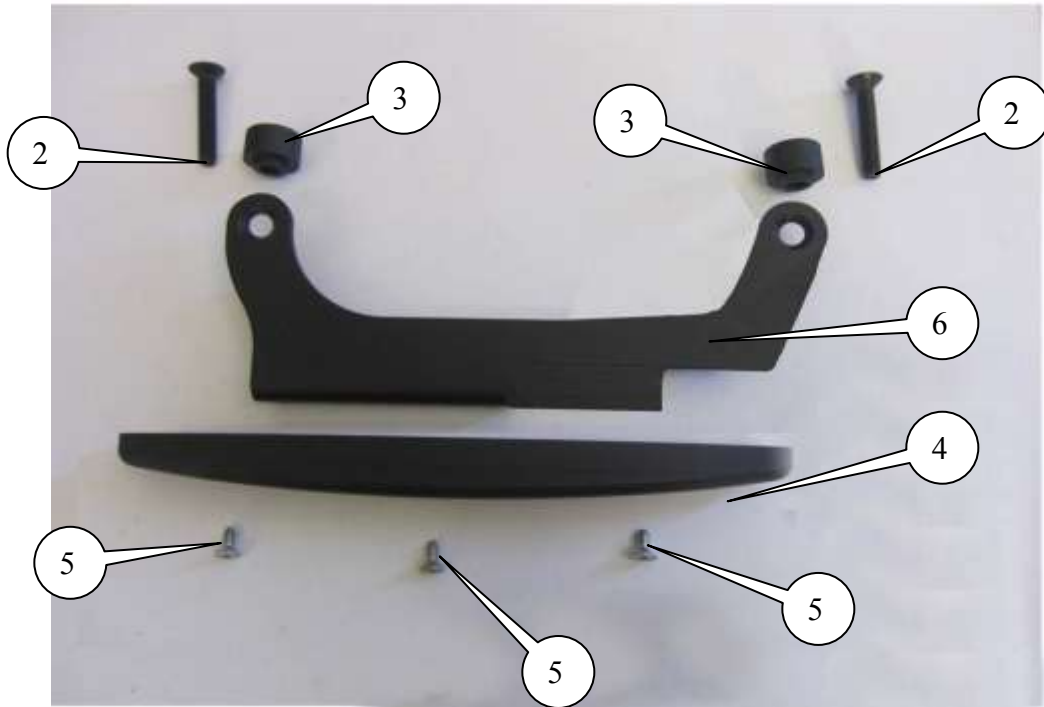
**LE KIT CONTIENT LES ARTICLES EXPOSES CI-DESSOUS, VERIFIER QUE TOUTES LES PIECES SOIENT PRESENTES AVANT DE PROCEDER AU MONTAGE.**

**LA FAÇON DONT LE KIT EST EMBALLE NE CORRESPOND PAS FORCEMENT A LA FAÇON DE MONTER LES PIECES SUR LA MOTO.**

**LES PIECES PRESENTEES PEUVENT N'ETRE QUE REPRESENTATIVES, AFIN DE FACILITER ET CLARIFIER LES INSTRUCTIONS DE MONTAGE.**

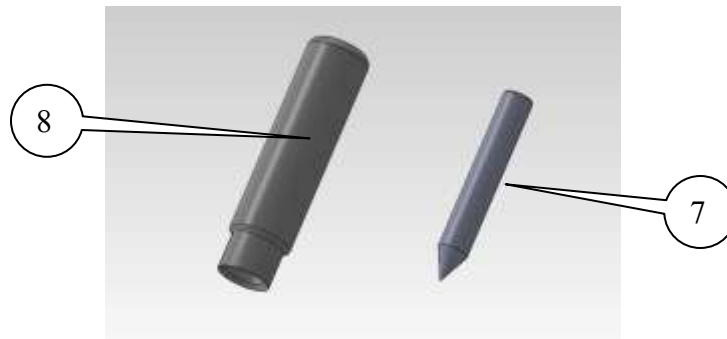


**COTE GAUCHE**



### COTE DROIT

### OUTILS



### LEGENDE

ARTICLE 1 = Plaque de montage coté gauche (MP0032) (x1).

ARTICLE 2 = M6x35mm Boulons à tête fraisée (x4).

ARTICLE 3 = Entretoises c (S0536) 12.5mm de long (x4).

ARTICLE 4 = Slider (SL0007) (x2).

ARTICLE 5 = M5x12mm Boulons à tête fraisée (x6).

ARTICLE 6 = Plaque de montage coté droit (MP0033) (x1).

ARTICLE 7 = Outil de marquage (T0018) (x1).

ARTICLE 8 = 10.5mm Outil de pousse (T0019) (x1).



Notez que si les kits sont emballés avec des rondelles en caoutchouc servant à tenir les composants, *ces rondelles doivent être jetées.*

- Outils requis
- Clés Allen 3 et 4mm
  - Clé 10mm
  - Maillet



PHOTO 1



PHOTO 2



PHOTO 3



PHOTO 4



## **Instructions de montage**

### **Coté gauche:**

- Retirez le repose pied en caoutchouc d'origine en soulevant un coin et en tirant doucement.
- Enlever les 2 boulons qui sont à présent accessibles (Photo 1).
- Prendre l'outil de marquage M6 (Article 7) présent dans le kit et visser dans un des trous, en vous assurant que le point est en haut (Photo 2). Remettre le repose pied en caoutchouc d'origine et faire une pression sur l'espace entourant l'outil de marquage. *Cela devrait faire une petite empreinte afin de pouvoir localiser l'endroit où percer un trou dans le caoutchouc pour s'adapter à la culasse. Utiliser le même process pour marquer la position de l'autre trou.*
- Avec le repose pied en caoutchouc retiré du scooter, utiliser l'outil de perforation 10,5mm (Article 8) présent dans le kit avec un maillet pour créer 2 trous où l'outil de marquage à marqué le repose pied en caoutchouc (Photo 3). *Cela peut s'effectuer à l'aide d'un morceau de bois sous le caoutchouc et sur une surface dure.*
- Ces trous permettent au dessus des entretoises de passer à travers le repose pied en caoutchouc (Photo 4).
- Prenez la plaque de montage coté gauche (Article 1) et passer le slider (Article 4) en utilisant 3 des boulons M5 à tête fraisée (Article 5). Passer les boulons à travers le slider et vissez-le dans la plaque de montage. Serrez.
- Sur le scooter, positionnez 2 des entretoises crantées (Article 3) dans le creux de boulon (Avec le plus petit diamètre vers le haut).
- Remettre le repose pied d'origine en caoutchouc, en vous assurant que les dessus des 2 entretoises passent bien à travers les trous qui viennent juste d'être percés dans le caoutchouc.
- Montez le slider repose pied R&G sur la moto puis fixer à l'aide de 2 boulons M6 x 35mm à tête fraisée (Article 2).
- Placer les stickers réfléchissants dans les creux réservés à cet effet, afin de cacher les têtes de boulons.

### **Répéter ces actions pour le coté droit**

#### **CONSUMER NOTICE**

The catalogue description and any exhibition of samples are only broad indications of the Products and R&G may make design changes which do not diminish their performance or visual appeal and supplying them in such state shall conform to the order. The Buyer acknowledges no representation or warranty (other than as to title) has been given or will apply to the Products other than those in R&G's order or confirmation and the Buyer confirms it has chosen the Products as being of merchantable quality and suitable for its particular purposes. Where R&G fits the Products or undertakes other services it shall exercise reasonable skill and care and rectify any fault free of charge unless the workmanship has been disturbed. The Buyer is responsible for ensuring that the warranty on the motorcycle is not affected by the fitting of the Products. On return of any defective Products R&G shall at its option either supply a replacement or refund the purchase money but shall not be liable if the Products have been modified or used or maintained otherwise than in accordance with R&G's or manufacturer's instructions and good engineering practice or if the defect arises from accident or neglect. Other than identified above and subject to R&G not limiting its liability for causing death and personal injury, it shall not be liable for indirect or consequential loss and otherwise its liability shall be limited to the amounts paid by the Buyer for the Products or the fitting or service concerned. These terms do not affect the Buyer's statutory rights.

R&G Racing

Unit 1, Shelley's Lane, East Worldham, Alton, Hampshire, GU34 3AQ

Tel: +44 (0)1420 89007 Fax: +44 (0)1420 87301 [www.rg-racing.com](http://www.rg-racing.com) Email: [info@rg-racing.com](mailto:info@rg-racing.com)





**R&G RACING RETURNS POLICY (NON-FAULTY GOODS)**

Returns must be pre-authorized (if not pre-authorized the return will be rejected). Goods may only be returned direct to us if they were purchased direct from us (customer must prove if necessary). Otherwise to be returned to original vendor. Goods must be in re-sellable condition, in the opinion of R&G Racing. All returns are subject to a 25% restocking and handling fee (25% of the gross value exc. P&P – at the prevailing price at time of purchase). The customer must pay any and all carriage charges. No returns of discontinued products, unless within 14 days of purchase. This policy does not affect your statutory rights and does not refer to faulty goods.